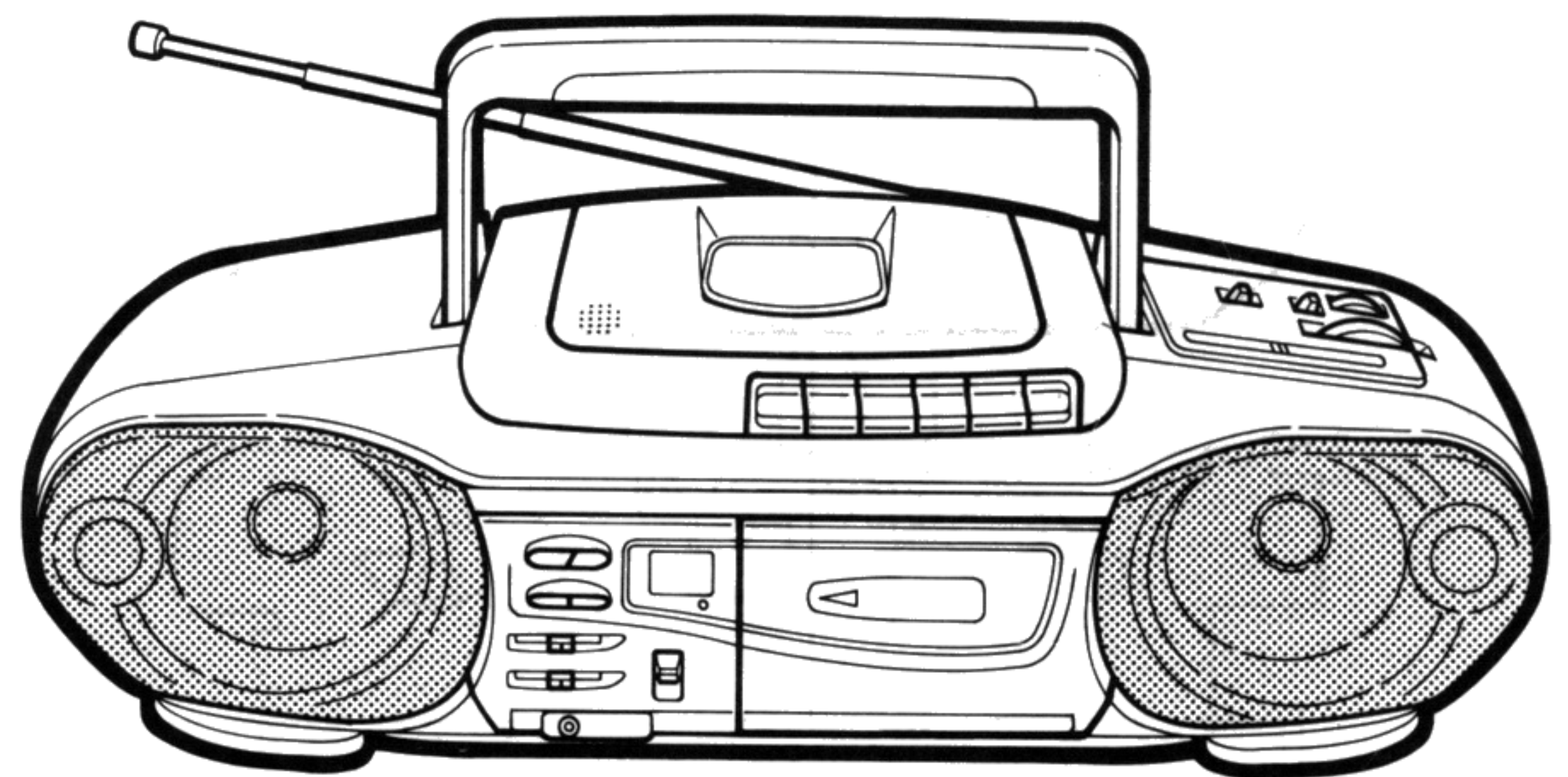




PHD15

(XE)

Portable CD Stereo Radio Cassette Recorder



Specifications

PRODUCT CODE No.
142 903 54

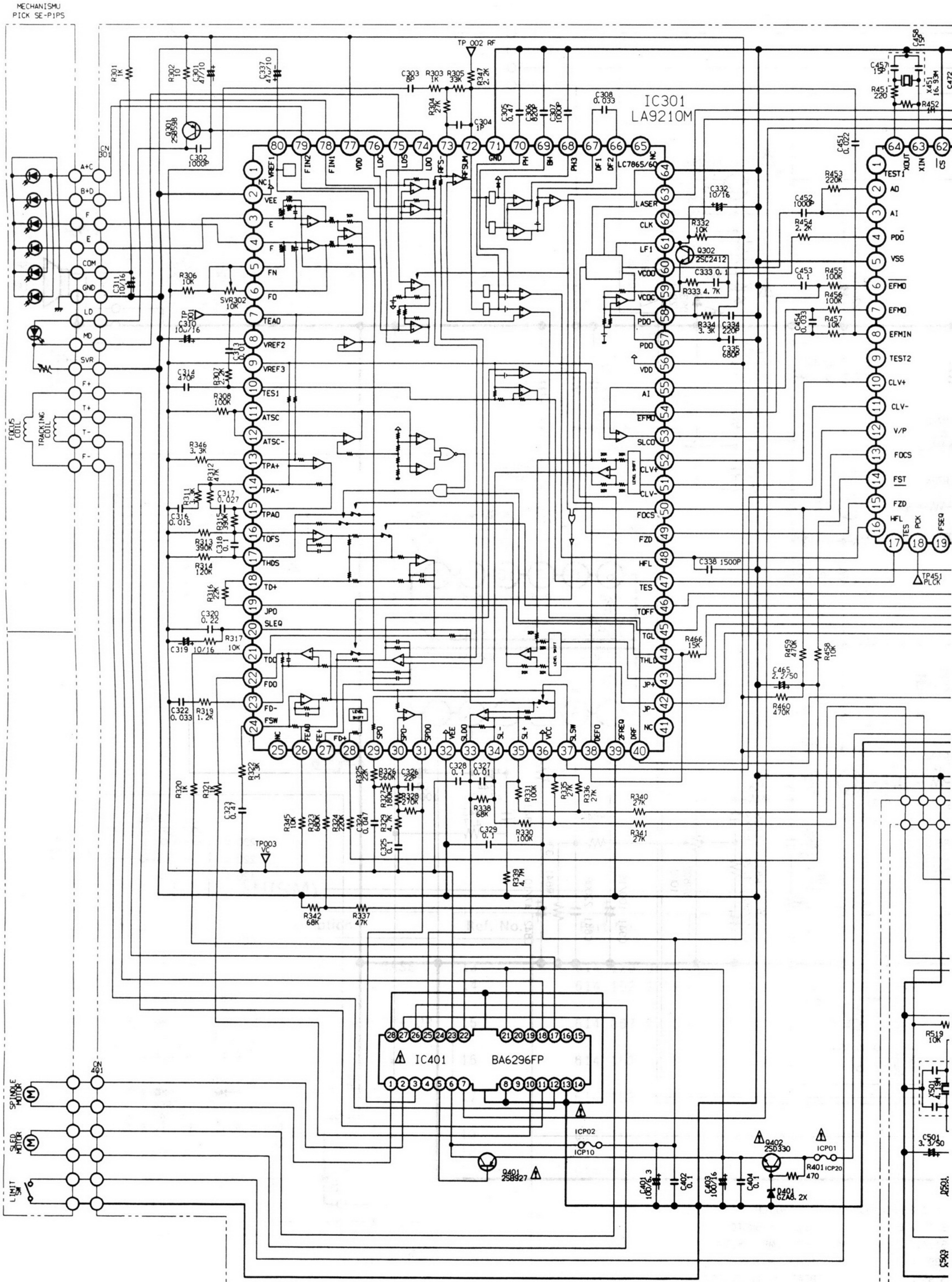
Recording system	AC bias, 4-track stereo
Erasing system	Magnet erase,
Tape speed	4.75 cm/sec.
Rewind and fast forward time	110 sec. (C-60)
Frequency range	MW : 526.5- 1,606.5 kHz FM : 87.5 - 108 MHz SW : 5.95 - 18 MHz LW : 148.5 - 283.5 KHz
Antennas	Built-in ferrite bar and telescopic rod antennas
CD SECTION	
Channels	2 channels
S/N ratio	70dB
Sampling frequency ...	44.1KHz
Quantization	16 bits linear/ch
Pick-up light source ...	semiconductor laser
Pick;up wave length ..	790nm

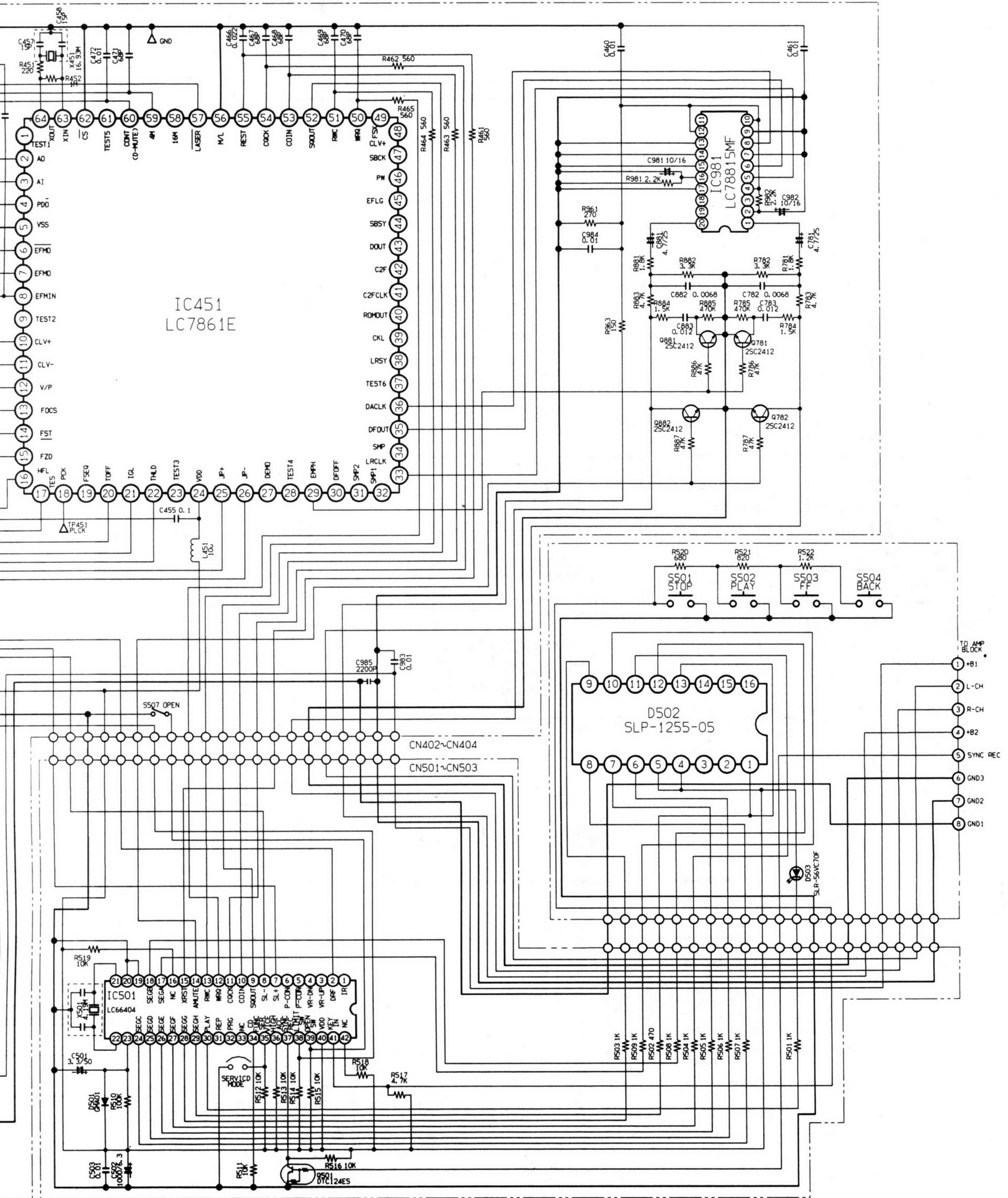
Terminal impedance	PHONES : 32 ohms
Frequency response	80 - 12,000 Hz
Output power	11 W (P.M.P.O.)
Speaker	10 cm x 2,4 ohms
Power source	AC : 120/220/230V, 50Hz DC : 12V, "SUM-1" x 8
Dimensions (approx.)	530 x 160 x 200 mm (W x H x D)
Weight(approx.)	4.1 kg including batteries

Specification subject to change without notice.

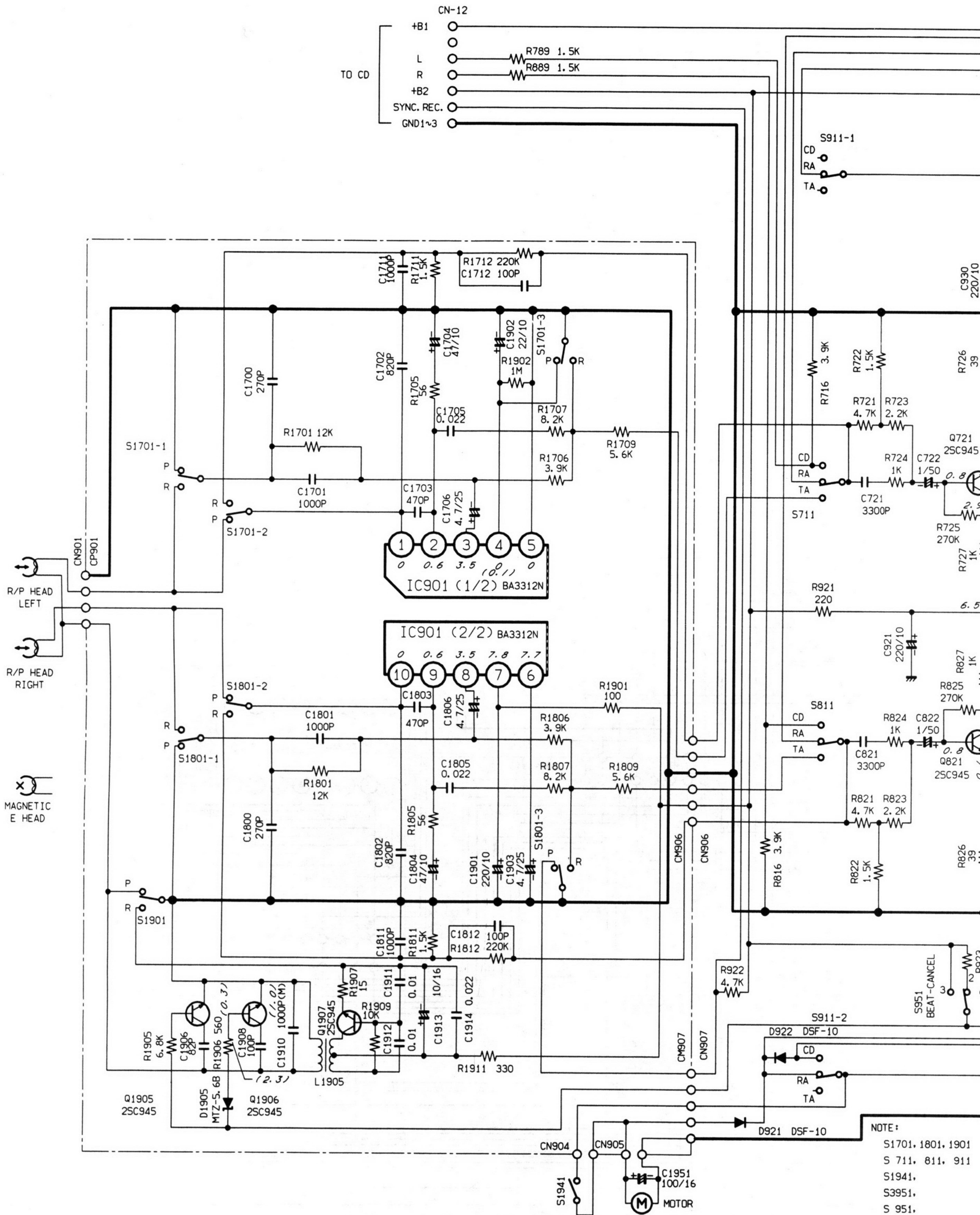
REFERENCE No. SM580020

SCHEMATIC DIAGRAM (CD)

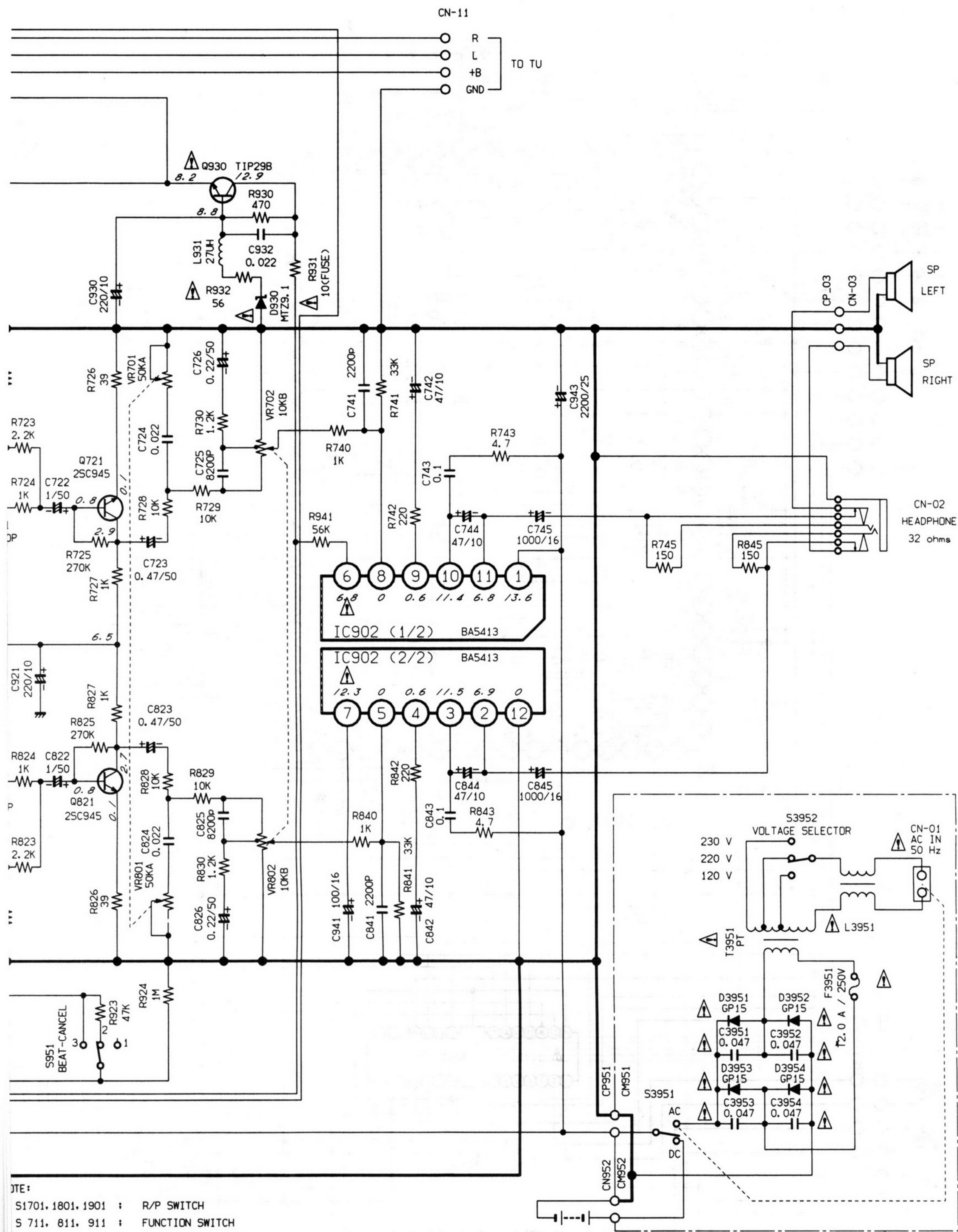




SCHEMATIC DIAGRAM(AMP)



NOTE:
 S1701, 1801, 1901
 S 711, 811, 911
 S1941,
 S3951,
 S 951.



- NOTE:
- S1701, 1801, 1901 : R/P SWITCH
 - S 711, 811, 911 : FUNCTION SWITCH
 - S1941, : TAPE POWER SWITCH
 - S3951, : AC/DC SWITCH
 - S 951, : BEAT CANCEL SWITCH

BATT.
UM-1 x8 =12V DC